

# Jeven Revit Plugin

# Contents

|                                      |          |
|--------------------------------------|----------|
| <b>Contents</b>                      | <b>2</b> |
| <b>Chapter 1. General</b>            | <b>3</b> |
| <b>About this document</b> .....     | <b>3</b> |
| <b>Installing the software</b> ..... | <b>3</b> |
| Required third-party software.....   | 3        |
| Installation .....                   | 3        |
| <b>Adding hood to Revit</b> .....    | <b>4</b> |

# Chapter 1. General

---

## About this document

This document contains instructions on using *Jeven Revit plugin*.

The purpose of the plugins is to add Jeven hoods to Revit project

---

## Installing the software

### Required third-party software

#### Revit

- Revit 2015

#### MagiCAD (optional)

- MagiCAD 2014.4 or newer (with Revit MEP 2015)

### Installation

Administrator privileges are recommended for installations.

Install Jeven Revit plugin.

Installation packages can be downloaded from

<https://delivery.progman.fi/Delivery/Download/SearchProducts?searchStr=Jeven&productClass=Plugin>

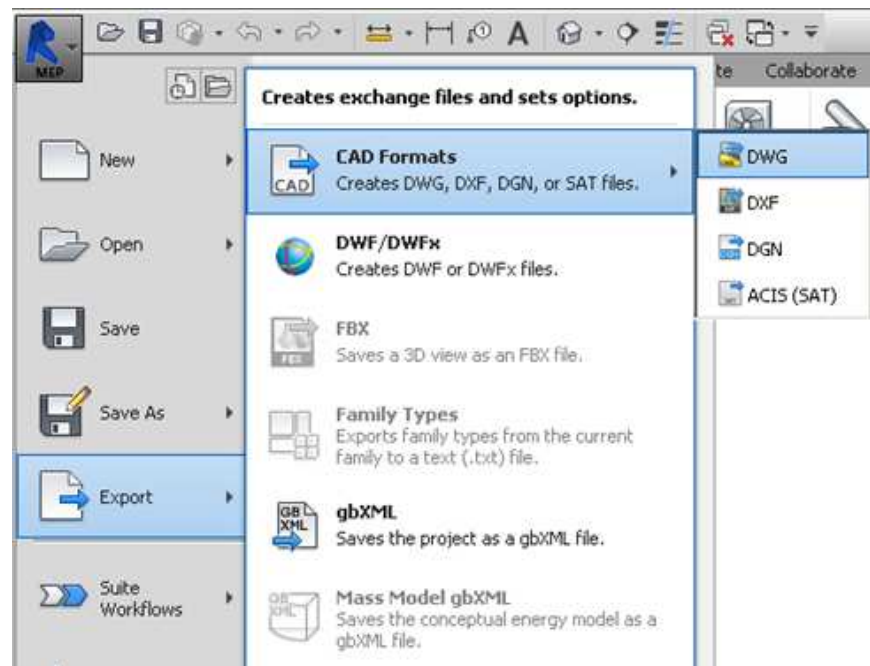
The 64-bit version of the program is installed by running

**Jeven Revit plugin 2014.10.1 64-bit.msi**

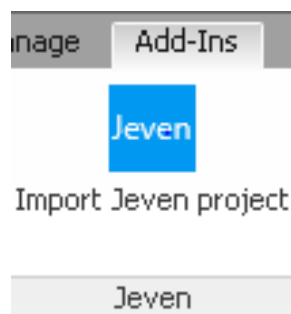
# Adding hood to Revit

Jeven Revit plugin workflow is following. User will sent to Jeven an export file of the Revit project if exactly location of the hood is required. User can also just simply export hood to Revit and move it to desired location. Jeven designs hoods and will provide hoods in .zip-files to user.

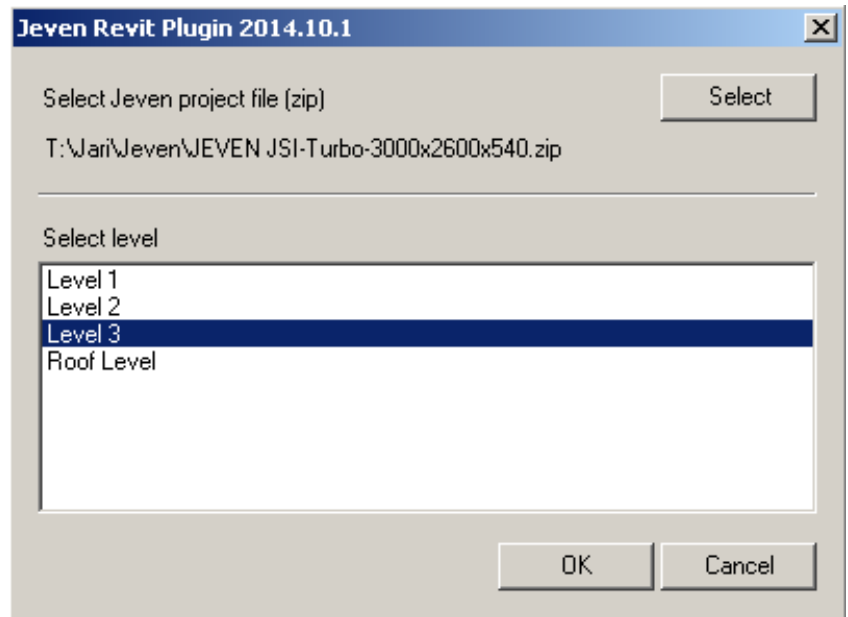
1. User may sent .dwg-file of the Revit project (Floor plan) if the user want to get hood exactly correct location of the project. Not obligatory.



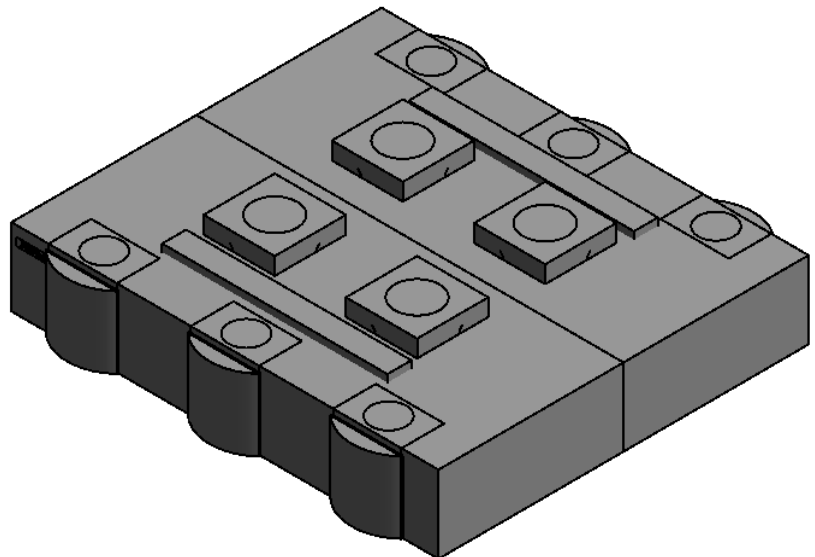
2. Click *Add-ins* ribbon tab and *Import Jeven project*-button to open Jeven selection dialog .



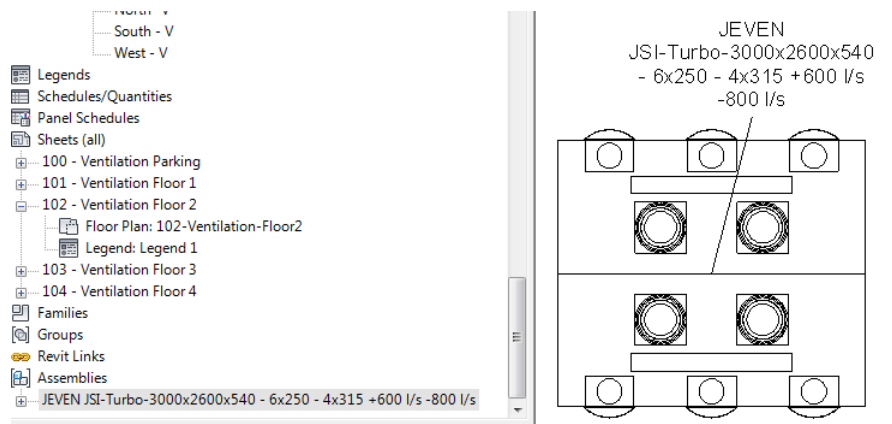
3. Click Select-button and choose Jeven hood .zip-file. Level of the floor plan have to also select.



4. Hood will then be appear in Revit.



5. The hood is named with Revit “Tag by Category” tool.



6. User can continue to connect ducts to extract and supply devices

